



Robin Conversion Kit

**US, Canada, Australia Item #
2RCK02**

**Europe Item #
2RCK02-EU**



Made in Latvia for:
Oeuf LLC
119 8th Street, Suite 301
Brooklyn, NY 11215
USA
(800) 691-8810
www.oeufnyc.com

Distributed in Europe by:
EGG Koks
Selgas
Leveste, Jaunpils
LV-3145 LATVIA
49 (0) 89 24 22 3277
manuel@oeufnyc.com

Distributed in Australia by:
3 Feet High Pty Ltd
15/168-180 Victoria Rd
Marrickville NSW 2204
Australia
02 9516 0310
info@3feethigh.com.au

**For US/Canada/Australia Mattress: Full-Size Crib Mattress 28" x 52" (69 cm x 130 cm)
For Europe Mattress, Matelas, Colchón, Materasso, Matratze, Matras 70 cm x 140 cm**



WARNING

ENTRAPMENT / STRANGULATION HAZARD

Infants have died in toddler beds from entrapment and strangulation. Failure to follow these warnings and the assembly instructions could result in serious injury or death.

NEVER use bed with children under 15 months.

NEVER place bed near windows where cords from blinds or drapes may strangle a child.

KEEP INSTRUCTIONS IN POUCH PROVIDED WITH BASE FOR FUTURE USE.

The mattress intended for use on this toddler bed must be a **FULL-SIZE** crib mattress having minimum dimensions of 51-5/8 inches (131 cm) in length, 27-1/4 inches (69 cm) in width and 4 inches (10 cm) minimum to 6 inches (15 cm) maximum in thickness.

Maximum weight shall not be greater than 50 lbs (22.7 kg).

- Before each usage or assembly, inspect toddler bed for damaged hardware, loose joints, missing parts, or sharp edges. **DO NOT** use toddler bed if any parts are missing or broken. Ask your dealer or write to OEUF for replacement parts and instructional literature if needed. **DO NOT** substitute parts.

-Upon completion of assembly, be sure all screws and bolts have been tightened securely. A periodic check should be made of all screws and bolts and retighten if necessary.

-Never use plastic shipping bags or other plastic film as mattress covers because they can cause suffocation.

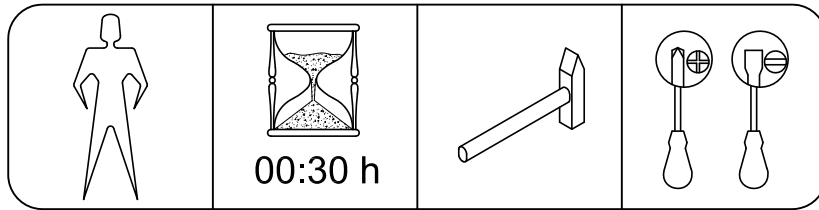
DO NOT use a water mattress with this toddler bed.

DO NOT place bed near windows where cords from blinds or drapes may strangle a child.

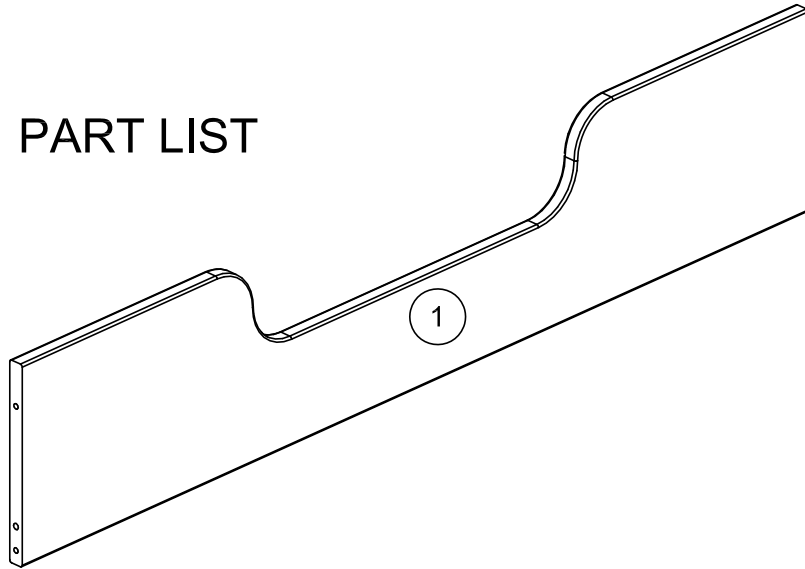
DO NOT place items with a string, cord, or ribbon around a child's neck, such as hood strings or pacifier cords.

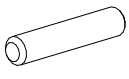

DO NOT suspend strings over a toddler bed for any reason.

DO NOT suspend strings over toddler bed or attach strings to toys.



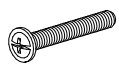
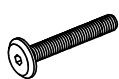
PART LIST

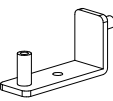




B		Ø8x40	2 pcs
E			1 pc

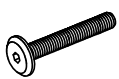
REINSTALL

Hardware already used with crib
(not provided with Conversion Kit)

A		M4x20	6 pcs
D		M6x60	4 pcs

F			4 pcs
G		M4x5	2 pcs
H		Ø10x14	4 pcs

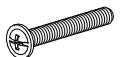
R3

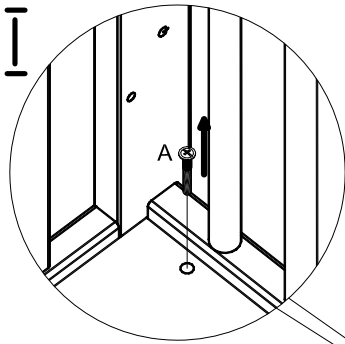
D		REMOVE ! M6x60	4 pcs
---	---	-------------------	----------

G		REMOVE ! M4x5	2 pcs
---	---	------------------	----------

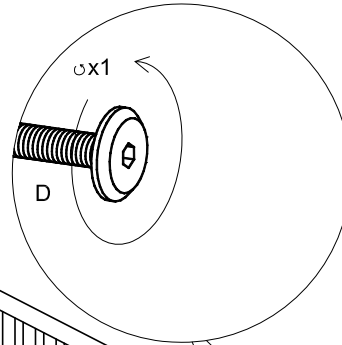
1

H		REMOVE ! Ø10x14	4 pcs
---	---	--------------------	----------

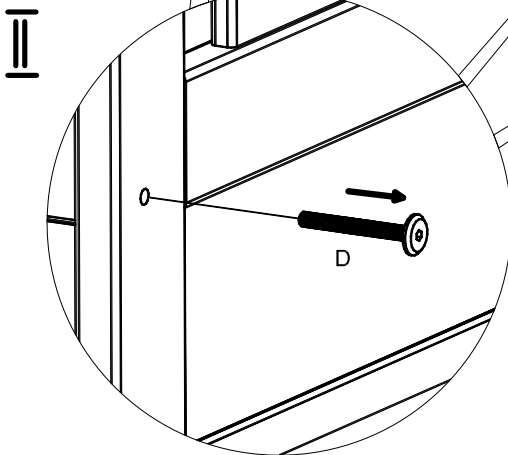
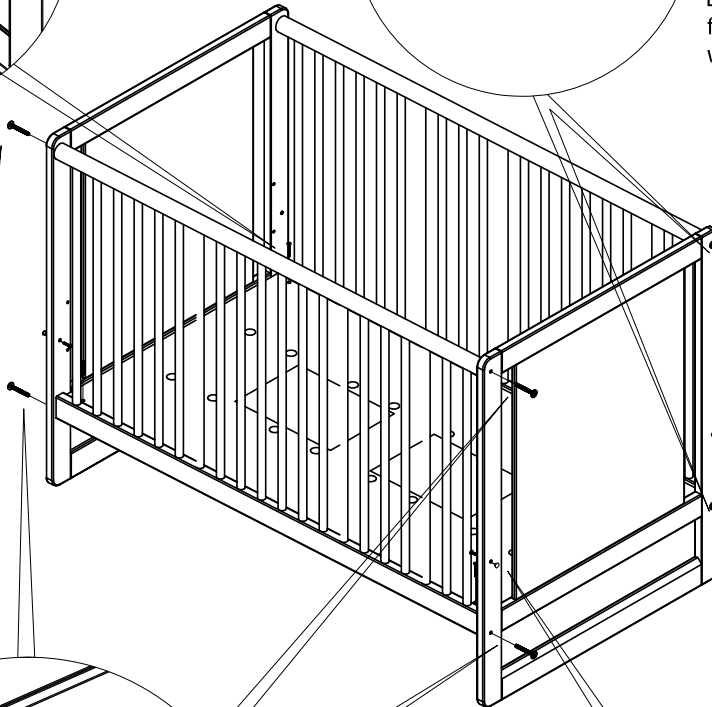
A		REMOVE ! M4x20	6 pcs
---	---	-------------------	----------



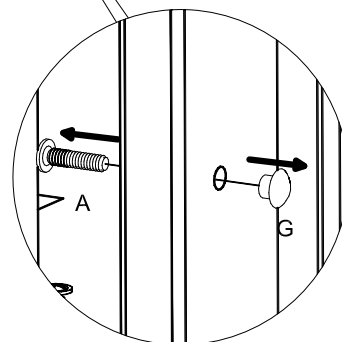
Remove mattress support screws



Loosen 4 screws from side that will remain

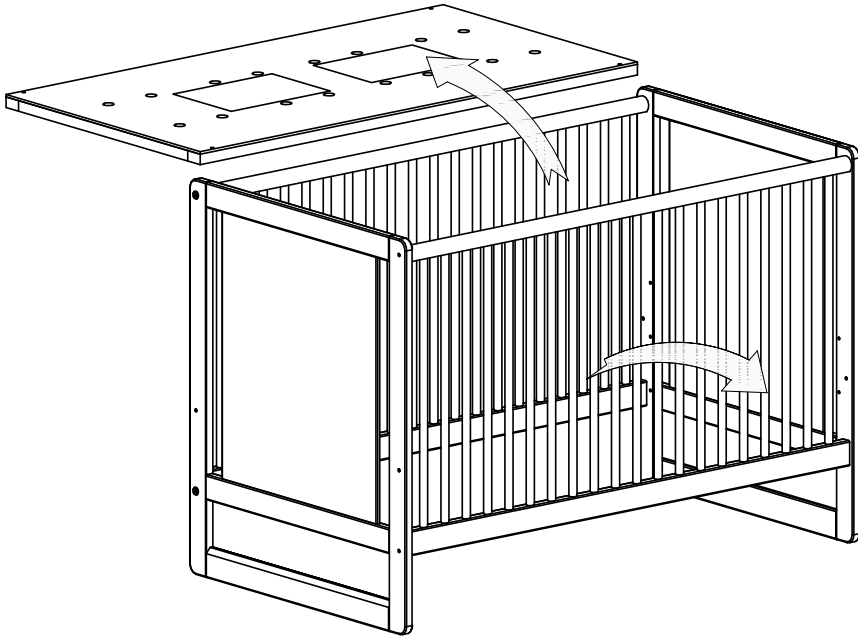


Remove 4 crib side screws

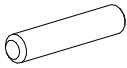


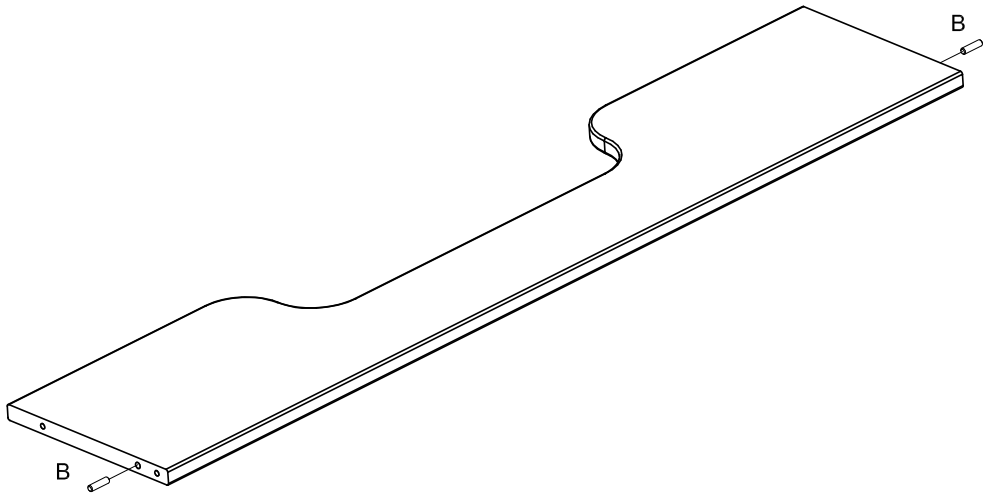
Remove 2 hole plug screws

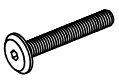

2


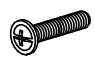


3

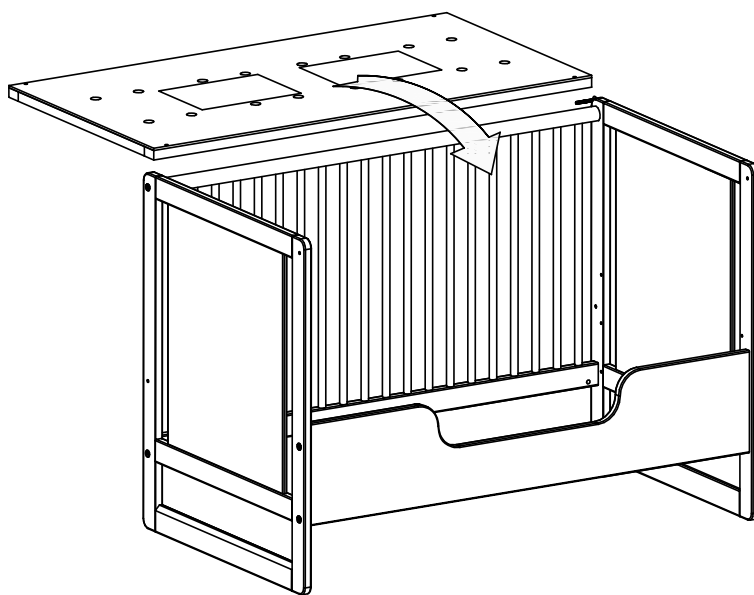
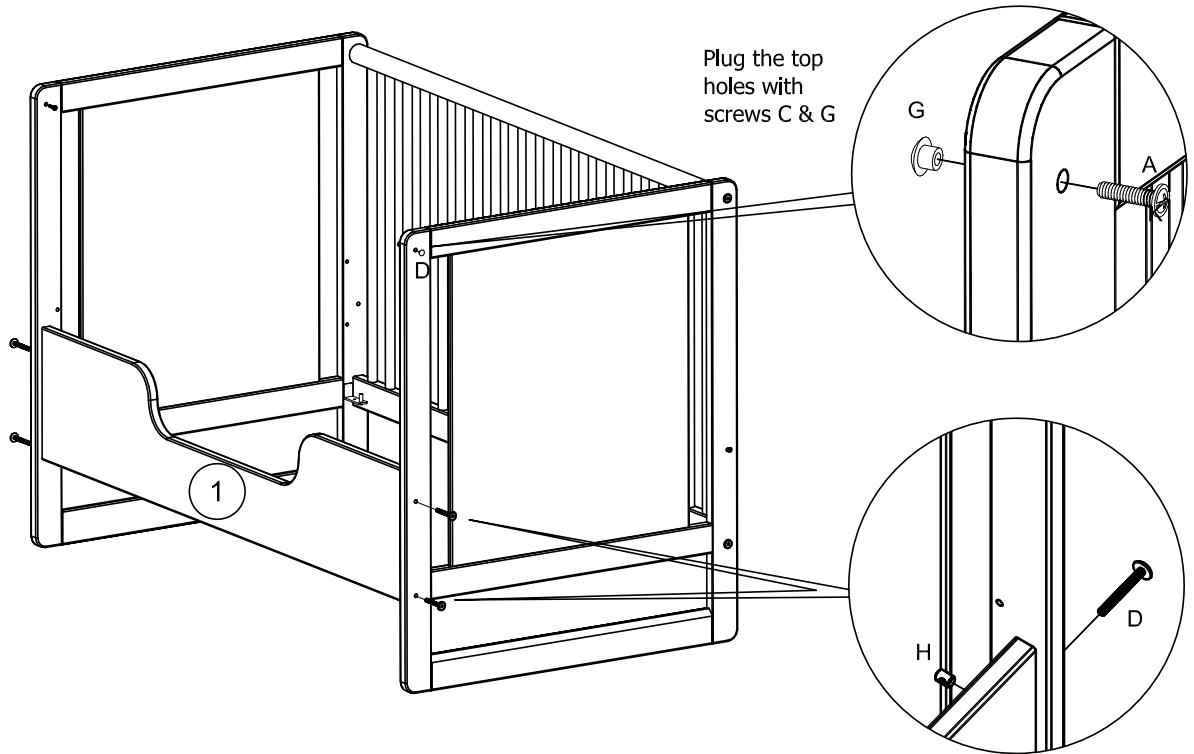
B		$\text{\O}8 \times 40$ 2 pcs
----------	---	---------------------------------



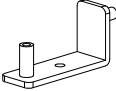
D		REINSTALL! M6x60	4 pcs
H		REINSTALL! Ø10x14	4 pcs

G		REINSTALL! M4x5	2 pcs
A		REINSTALL! M4x20	2 pcs

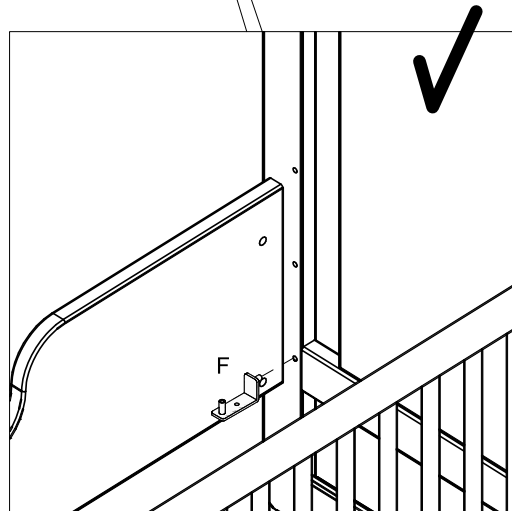
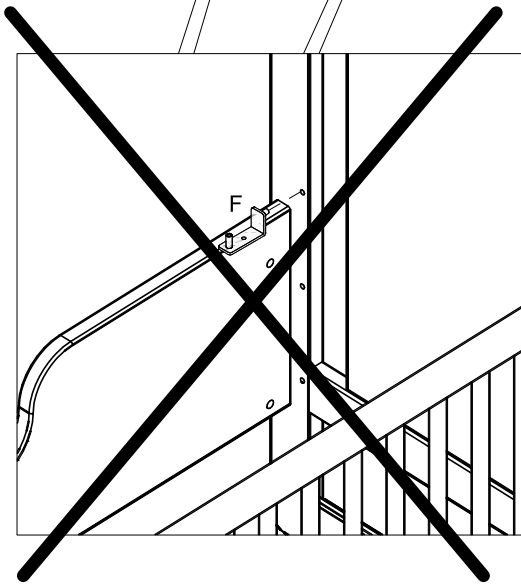
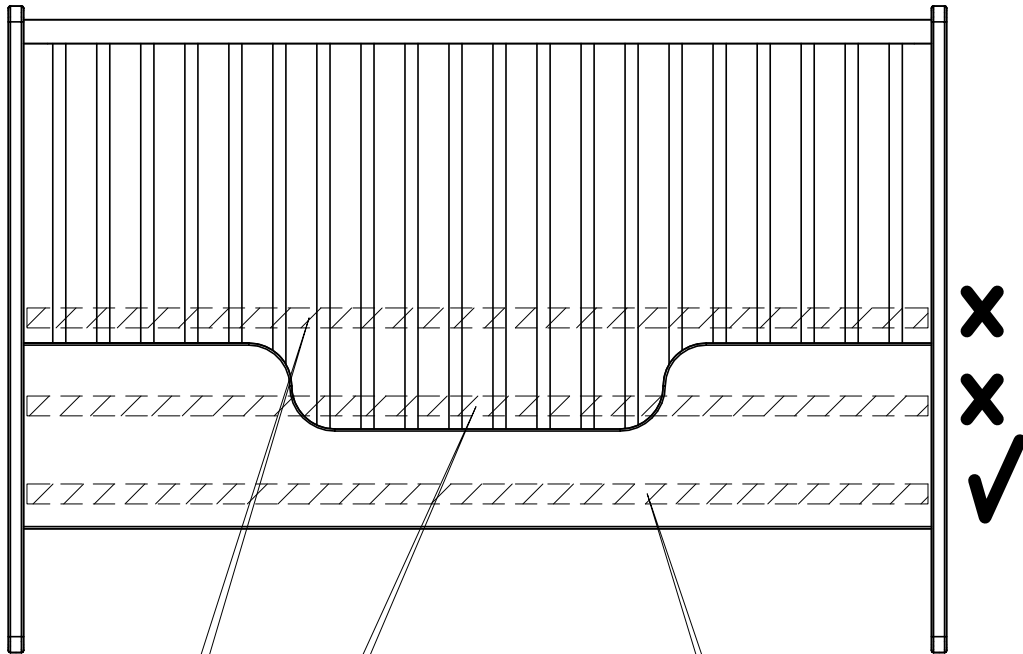
4



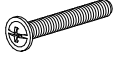
5

F		4 pcs
---	---	----------

6



A

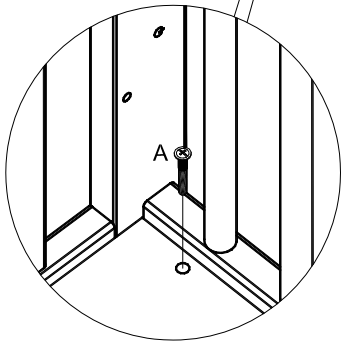
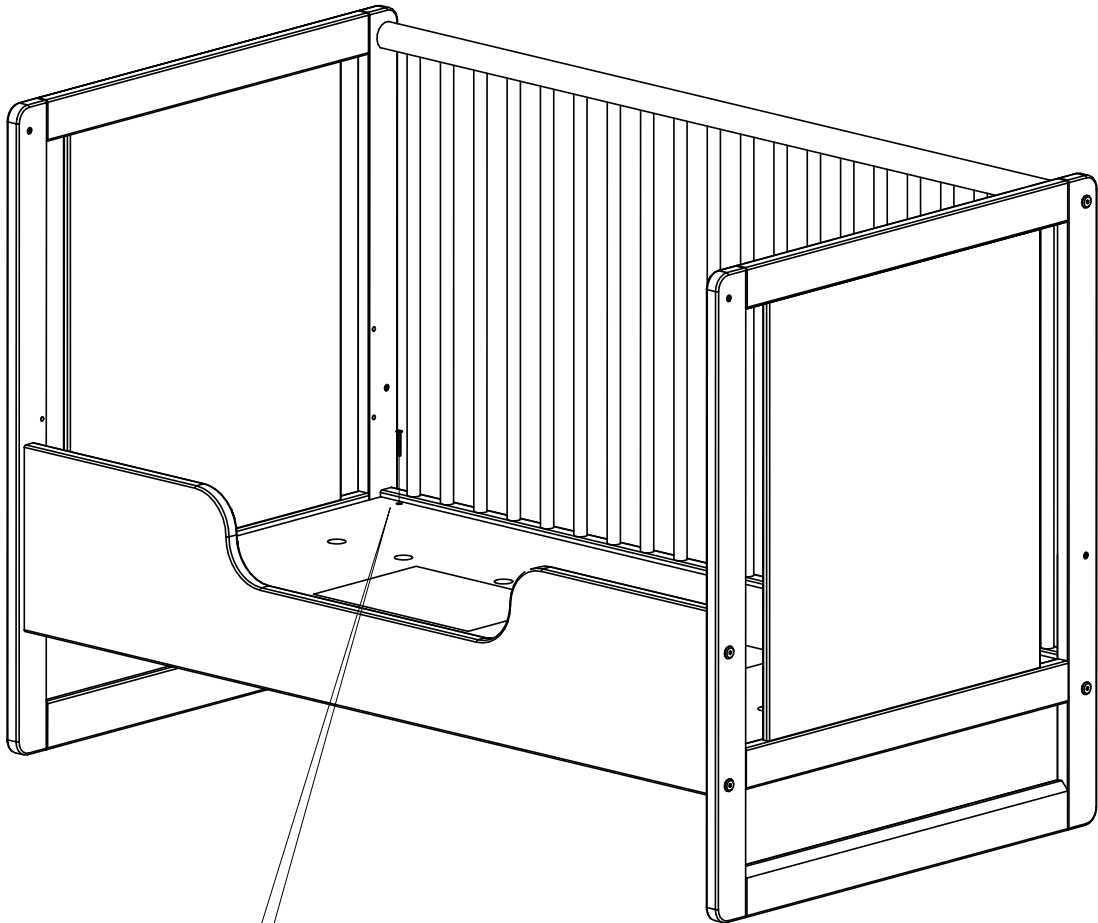


REINSTALL !

M4x22

4
pcs

7



Reinstall mattress support screws and be sure to tighten the loosened screws from the remaining crib side.