



Classic Toddler Bed Conversion Kit

US, Canada, Australia Item #'s
1TBK01

Europe Item #'s
1TBK01-EU

Made in Latvia for:

Oeuf LLC

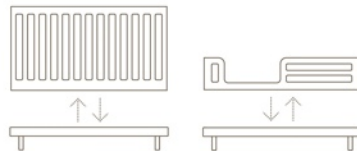
119 8th Street, Suite 301

Brooklyn, NY 11215

USA

(800) 691-8810

www.oeufnyc.com



CLASSIC COLLECTION

Crib to Toddler Bed

Toddler Bed to Crib

(0-6 Years)



Distributed in Europe by:

EGG Koks

Selgas

Leveste, Jaunpils

LV-3145 LATVIA

49 (0) 89 24 22 3277

manuel@oeufnyc.com

Distributed in Australia by:

3 Feet High Pty Ltd

15/168-180 Victoria Rd

Marrickville NSW 2204

Australia

02 9516 0310

info@3feethigh.com.au

For US/Canada/Australia Mattress: Full-Size Crib Mattress 28" x 52" (69 cm x 130 cm)

For Europe Mattress, Matelas, Colchón, Materasso, Matratze, Matras 70 cm x 140 cm



WARNING

ENTRAPMENT / STRANGULATION HAZARD

Infants have died in toddler beds from entrapment and strangulation. Failure to follow these warnings and the assembly instructions could result in serious injury or death.

NEVER use bed with children under 15 months.

NEVER place bed near windows where cords from blinds or drapes may strangle a child.

KEEP INSTRUCTIONS IN POUCH PROVIDED WITH BASE FOR FUTURE USE.

The mattress intended for use on this toddler bed must be a **FULL-SIZE** crib mattress having minimum dimensions of 51-5/8 inches (131 cm) in length, 27-1/4 inches (69 cm) in width and 4 inches (10 cm) minimum to 6 inches (15 cm) maximum in thickness.

Maximum weight shall not be greater than 50 lbs (22.7 kg).

- Before each usage or assembly, inspect toddler bed for damaged hardware, loose joints, missing parts, or sharp edges. **DO NOT** use toddler bed if any parts are missing or broken. Ask your dealer or write to OEUF for replacement parts and instructional literature if needed. **DO NOT** substitute parts.
-Upon completion of assembly, be sure all screws and bolts have been tightened securely. A periodic check should be made of all screws and bolts and retighten if necessary.

-Never use plastic shipping bags or other plastic film as mattress covers because they can cause suffocation.

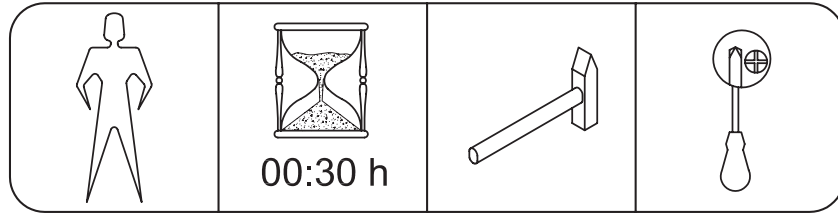
DO NOT use a water mattress with this toddler bed.

DO NOT place bed near windows where cords from blinds or drapes may strangle a child.

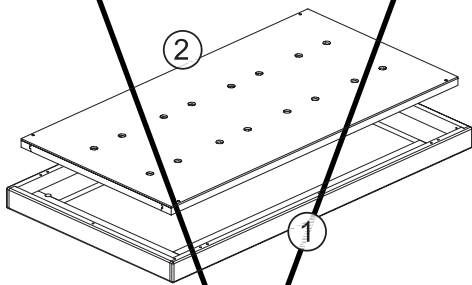
DO NOT place items with a string, cord, or ribbon around a child's neck, such as hood strings or pacifier cords.

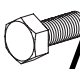

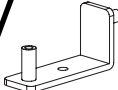
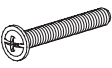
DO NOT suspend strings over a toddler bed for any reason.

DO NOT suspend strings over toddler bed or attach strings to toys.

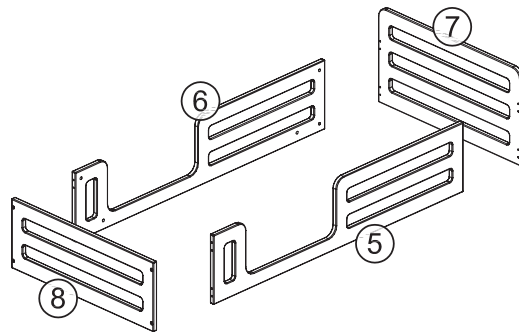





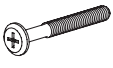
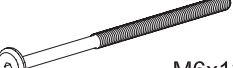
Parts List - Base
(not incl. with Toddler Bed Conversion Kit)
Liste des Pièces



A		M8x20	4 pcs
B			4 pcs
C			4 pcs
D		M4x35	4 pcs

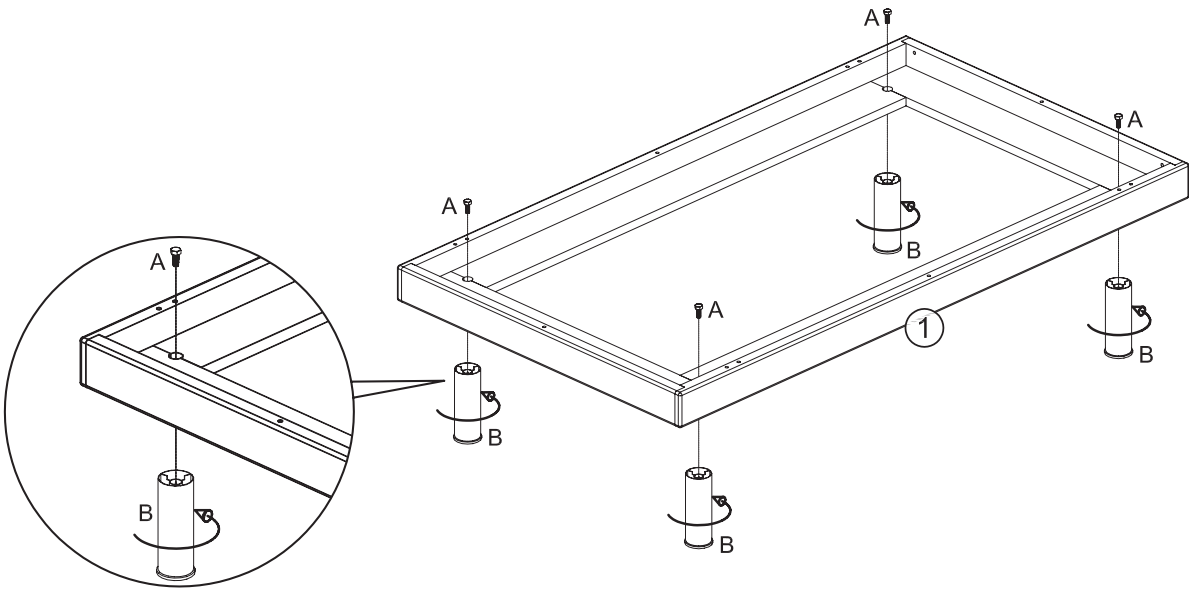
Parts List - Toddler Bed Sides
Liste des Pièces

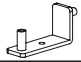


E		Ø6x30	16 pcs
F			1 pc
G		Ø10x13	12 pcs
H		M6x50	8 pcs
I		M6x120	4 pcs

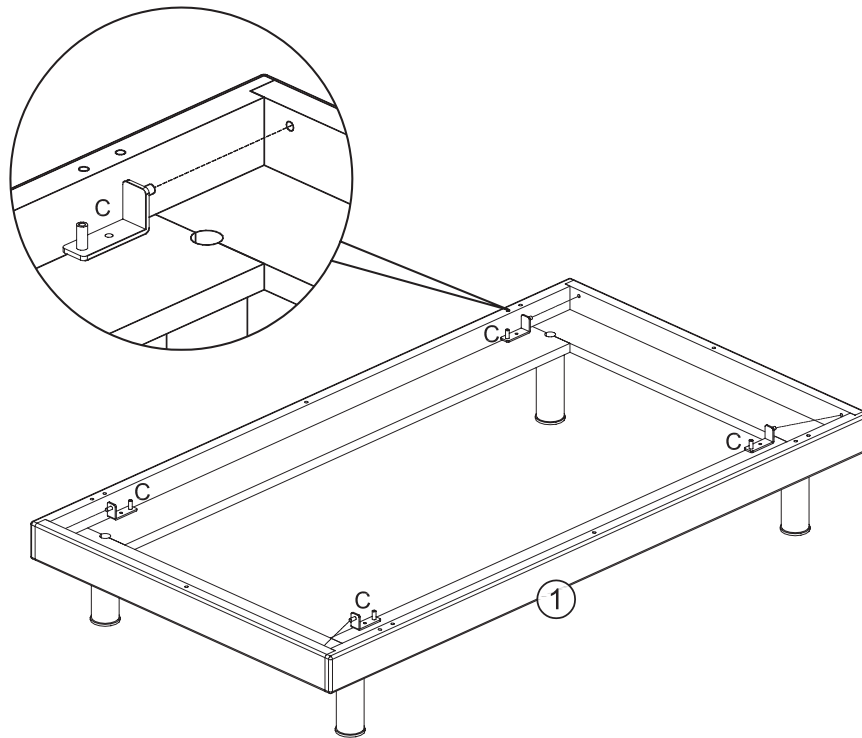
A		M8x20	4 pcs
B			4 pcs

1

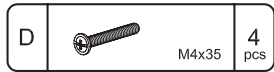
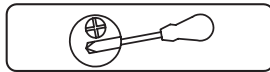
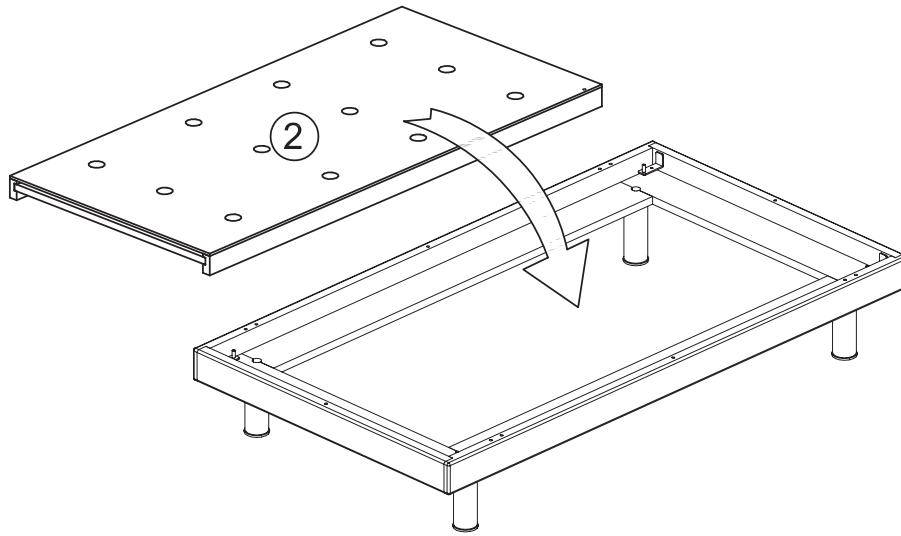


C			4 pcs
---	--	--	-------

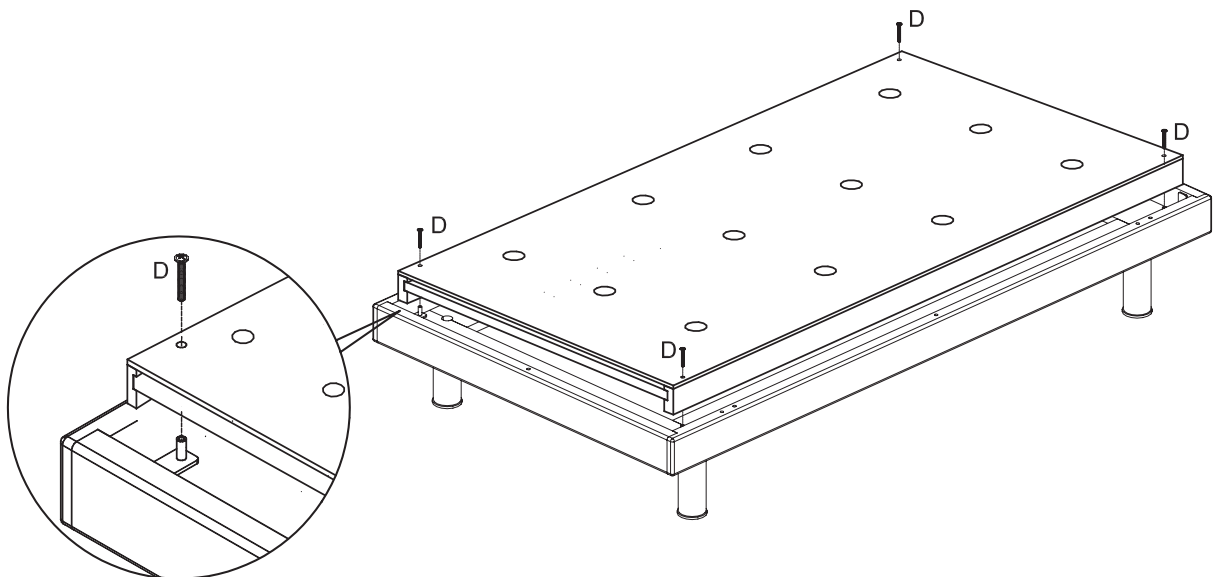
2




3

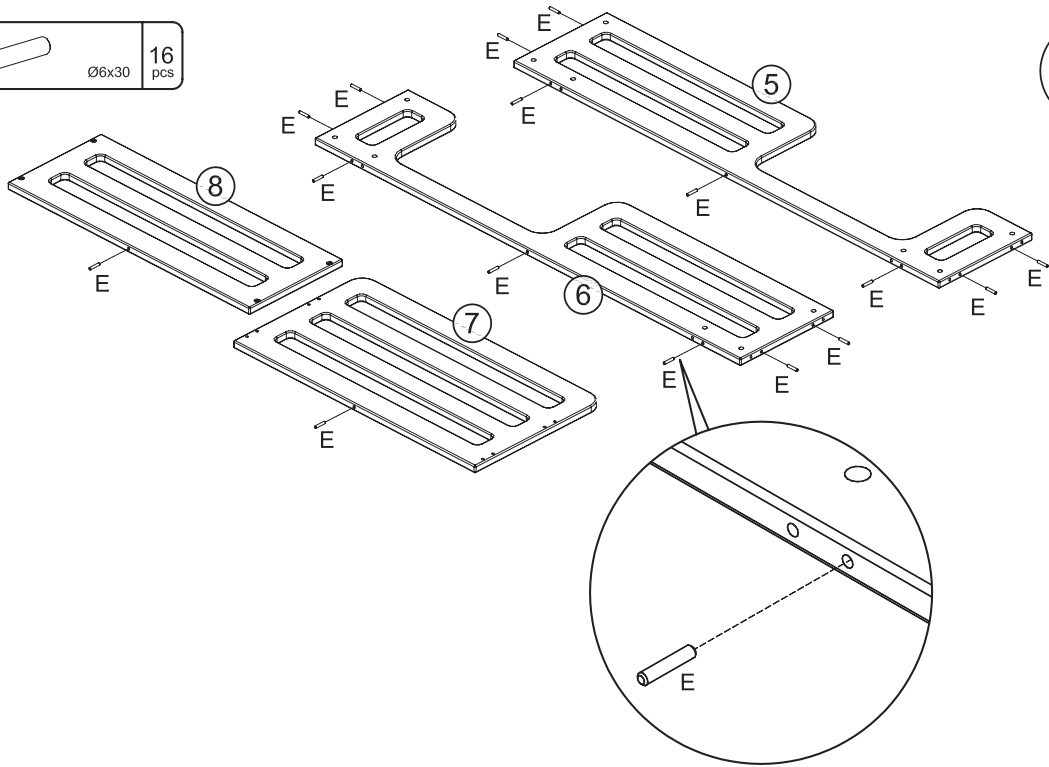


4




E		Ø6x30	16 pcs
---	---	-------	--------

5

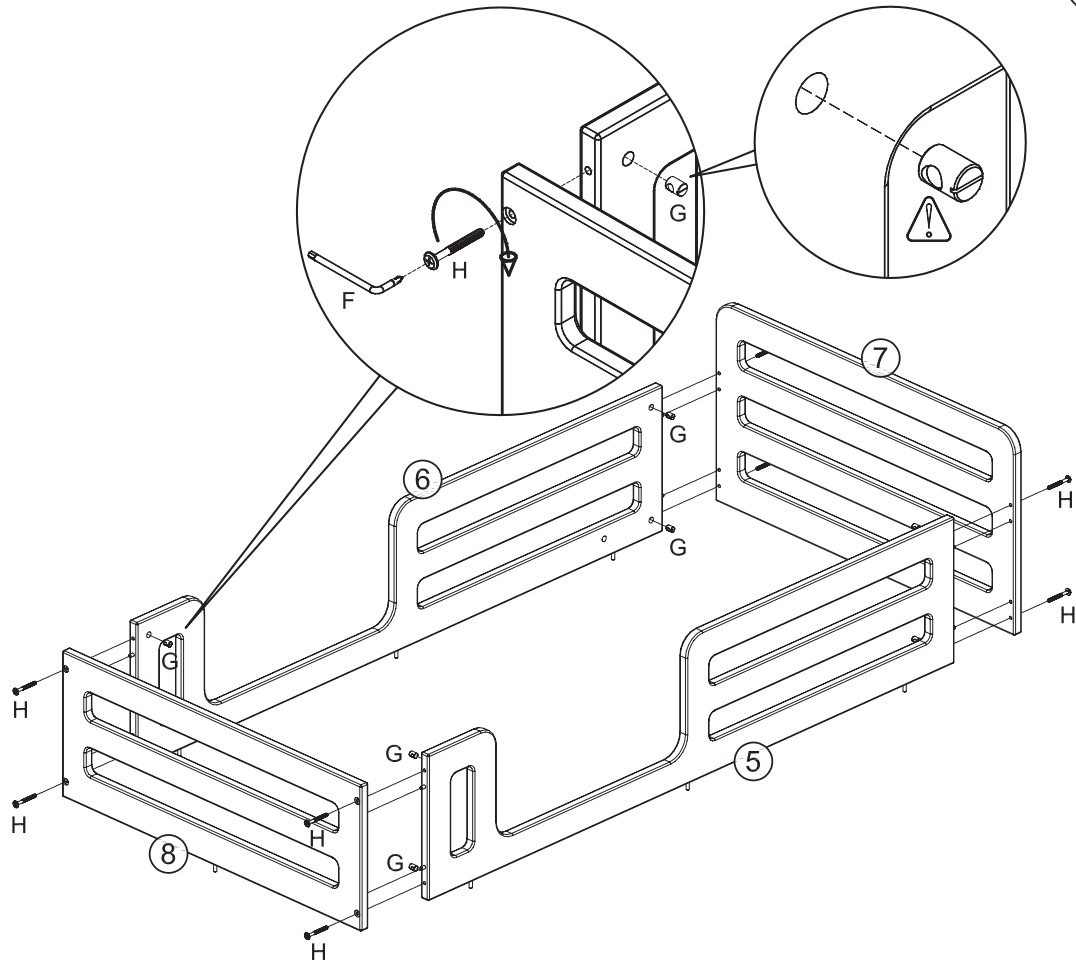


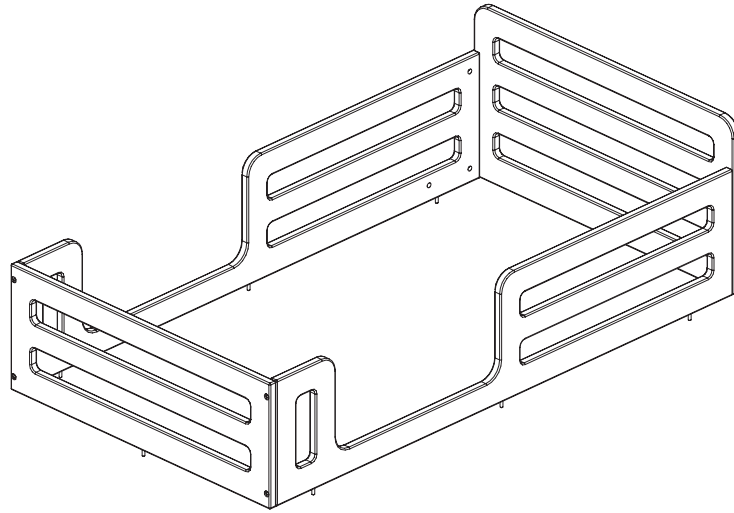
G		Ø10x13	8 pcs
---	--	--------	-------




H		M6x50	8 pcs
---	--	-------	-------

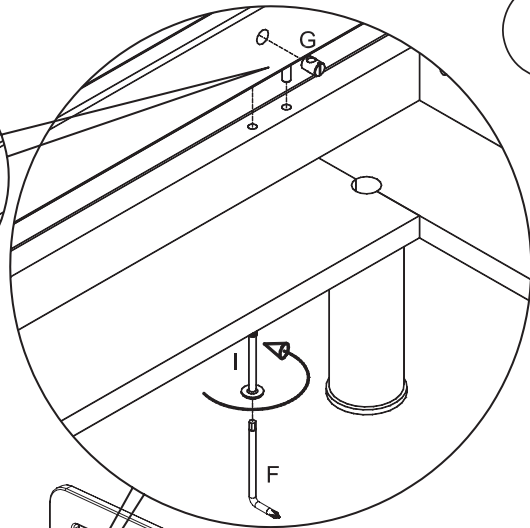
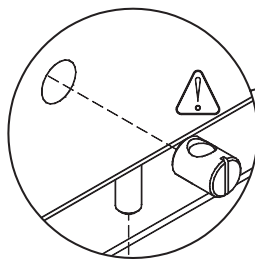
F			1 pc
---	--	--	------

6





G		Ø10x13	4 pcs
I		M6x120	4 pcs
F			1 pc



7

